

Distributed by:

JAMECO[®]
ELECTRONICS

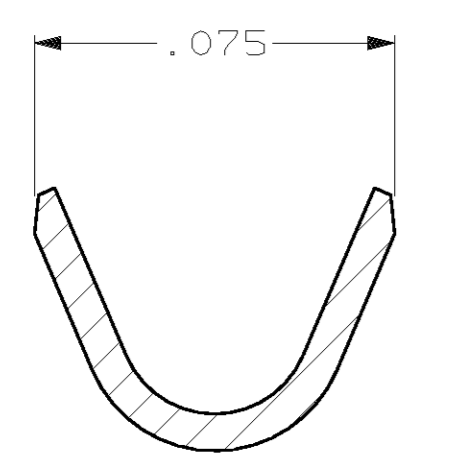
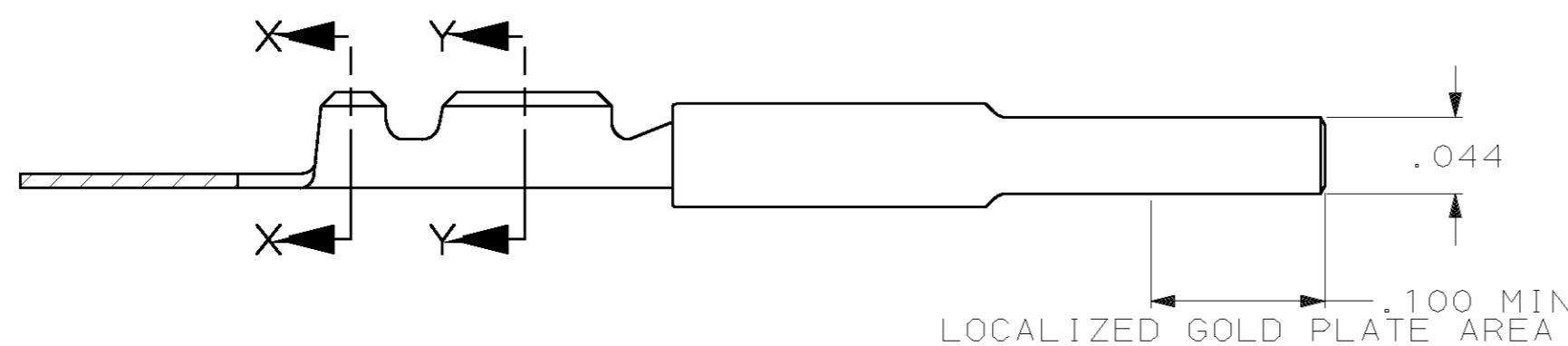
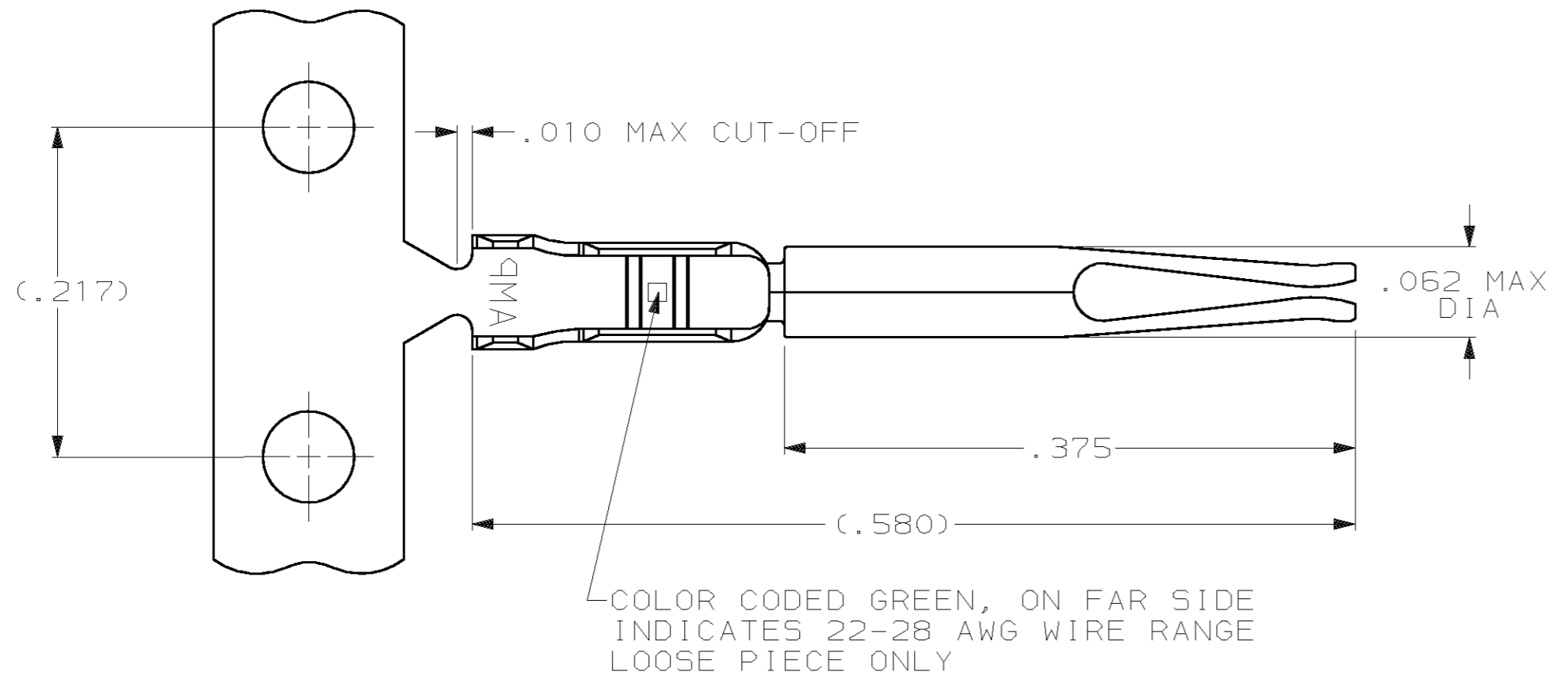
www.Jameco.com ♦ 1-800-831-4242

The content and copyrights of the attached
material are the property of its owner.

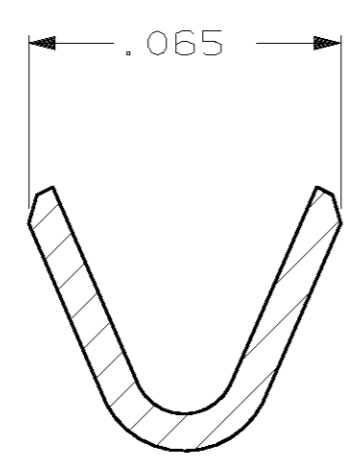
Jameco Part Number 904704

THIS DRAWING IS UNPUBLISHED. RELEASED FOR PUBLICATION .19
 (C) COPYRIGHT 19 BY AMP INCORPORATED. ALL RIGHTS RESERVED.

LOC	DIST	REVISIONS					
GP	00	P	LTR	DESCRIPTION	DATE	DWN	APVD
		0		RELEASED PER EC 0513-0209-03	02JAN04	LB	SB



SECTION X-X
INSULATION BARREL



SECTION Y-Y
WIRE BARREL

- ① FOR MINI APPLICATOR.
- ② FOR HAND TOOL USE ONLY.
- 3. WIRE RANGE OF 22-28, INSULATION RANGE OF .030-.040.
- ④ PLATED WITH .000030 MIN. GOLD IN LOCALIZED GOLD PLATE AREA, .000100 MIN TIN ON WIRE BARRELS, OVER .000050 MIN. NICKEL UNDERPLATE.
- ⑤ PLATED WITH GOLD FLASH IN LOCALIZED GOLD PLATE AREA, .000100 MIN. TIN ON WIRE BARRELS, OVER .000050 MIN. NICKEL UNDERPLATE.

⑤	1658686-4	1658686-3
④	1658686-2	1658686-1
FINISH	LOOSE PIECE ②	PART NUMBER ①

THIS DRAWING IS A CONTROLLED DOCUMENT.		DWN L. BAUM 02JAN04	AMP Incorporated Harrisburg, PA 17105-3608	
DIMENSIONS: INCH		CHK S. BOLASH 02JAN04		
TOLERANCES UNLESS OTHERWISE SPECIFIED: 0 PLC ±- 1 PLC ±- 2 PLC ±- 3 PLC ±.005 4 PLC ±- ±2°		APVD M. WALMSLEY 02JAN04		
MATERIAL PHOS BRONZE		FINISH SEE TABLE		
PRODUCT SPEC 108-1268		NAME SOCKET CONTACT, 22-28 AWG, 22 DF, AMPLIMITE		
APPLICATION SPEC 114-10001		SIZE A2	CAGE CODE 00779	DRAWING NO. 1658686
CUSTOMER DRAWING		WEIGHT -	RESTRICTED TO -	SCALE 10:1
		SHEET 1	OF 1	REV 0