

Item Number HSA-12025 Series Contact Form A Switch Configuration SPST Rev. A

World's Smallest Surface Mount Reed Switch

Features	Advantages
<ul style="list-style-type: none"> • Hermetically sealed Rhodium contacts • Materials are Lead free and RoHS compliant • Oval shaped glass with .010in diameter leads 	<ul style="list-style-type: none"> • Pick-and-place capable • Maximum sensitivity in a miniature size • Not ESD sensitive • Hi-Rel version available

Electrical Specifications

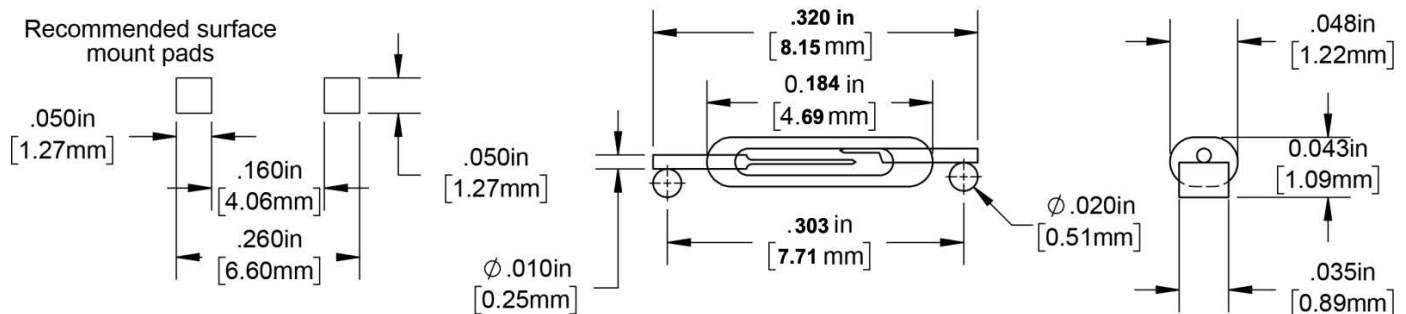
Power		Watts - maximum	0.5
Voltage	Switching	VDC - maximum	30
	Breakdown	VDC - minimum	80
Current	Switching	Amp - maximum	0.01
	Carry	Amp - maximum	0.7
Resistance	Initial Contact Resistance	Ohm - maximum	0.75
	Insulation Resistance	Ohm - minimum	1E11
Capacitance	Contact	pF - typical	0.7
Temperature	Operating	°C - maximum	-40 to +125
	Storage	°C	-40 to +200

Physical/Operational Specifications

Pull - In Range	(Before Modification)	Ampere Turns	2-15
Test		NARM RS-421-A	Coil I

Physical/Operational Specifications

Capsule Volume	Excluding Leads	CC-nominal	0.0072
Contact Material			Rhodium
Operate Time	Including Bounce	mSeconds - maximum	0.30
Release Time		mSeconds - maximum	0.20



Notes:

- (1) Specifications are not constant across entire magnetic range.
- (2) Customer must exercise care in handling and mounting to prevent damage to internal components and subsequent changes to sensor performance.
- (3) For information about performance, custom configurations, mounting options or packaging contact our Sales department.
- (4) Information contained hereon is for informational purposes only and should not be deemed as accurate for a specific application. Consult factory for specific application information and/or latest revision.