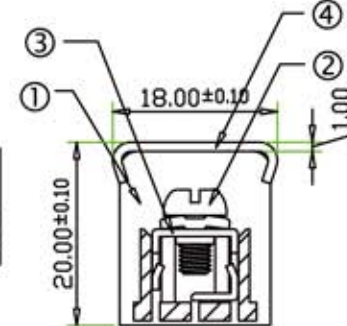
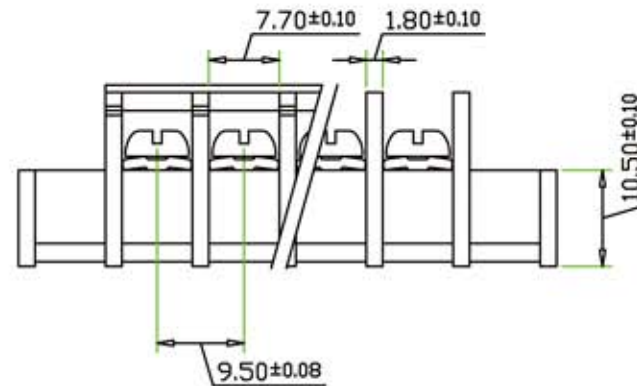
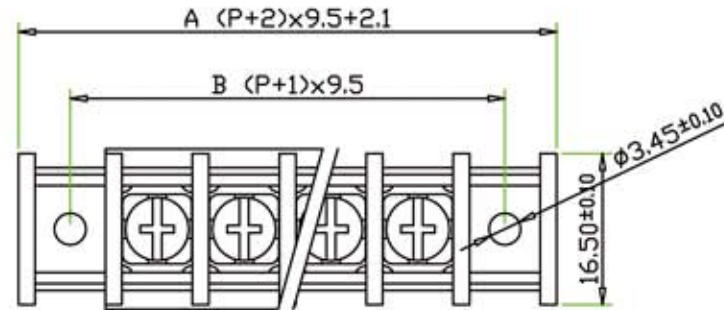


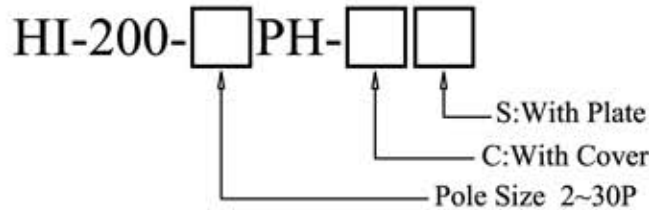
SPECIFICATIONS

- ① Housing Material: Polyamide 66(UL94V-0), Black
- ② Screw: M3.5 Nickel Plated Steel
- ③ Terminals: Tin Plated Brass
- ④ Cover: PC Transparent

Screws Torque: 12 In-Lb
 Wire Range: 14~22 AWG
 Rated: 10 Amperes.AC250V
 Operation Temperature: -55°C~+95°C
 Insulation withstands volt: AC2000V min
 Insulation resistance: >1000MΩ or more at DC500V



Part Number:



Tolerance ± 0.50

POLE	2	3	4	5	6	7	8	9	10	11	12	13	14	15	
A	40.1	49.6	59.1	68.6	78.1	87.6	97.1	106.6	116.1	125.6	135.1	144.6	154.1	163.6	
B	28.5	38	47.5	57	66.5	76	85.5	95	104.5	114	123.5	133	142.5	152	
POLE	16	17	18	19	20	21	22	23	24	25	26	27	28	29	30
A	173.1	182.6	192.1	201.6	211.1	220.6	230.1	239.6	249.1	258.6	268.1	277.6	287.1	296.6	306.1
B	161.5	171	180.5	190	199.5	209	218.5	228	237.5	247	256.5	266	275.5	285	294.5



CO/Name	CIC COMPONENTS IND. CO., LTD.	REV.	CONTENT	DATE	NO.	PART NO.	DrawingNo	DATE	DrawingNo	HI-2095001
P/Name	Barrier type terminal block	△			①				Scale	2:1 (:) ⊕
					②		APPROVED	DATE	Sheet	1/1
					③				Unit	mm
					④		CHECK	DATE		